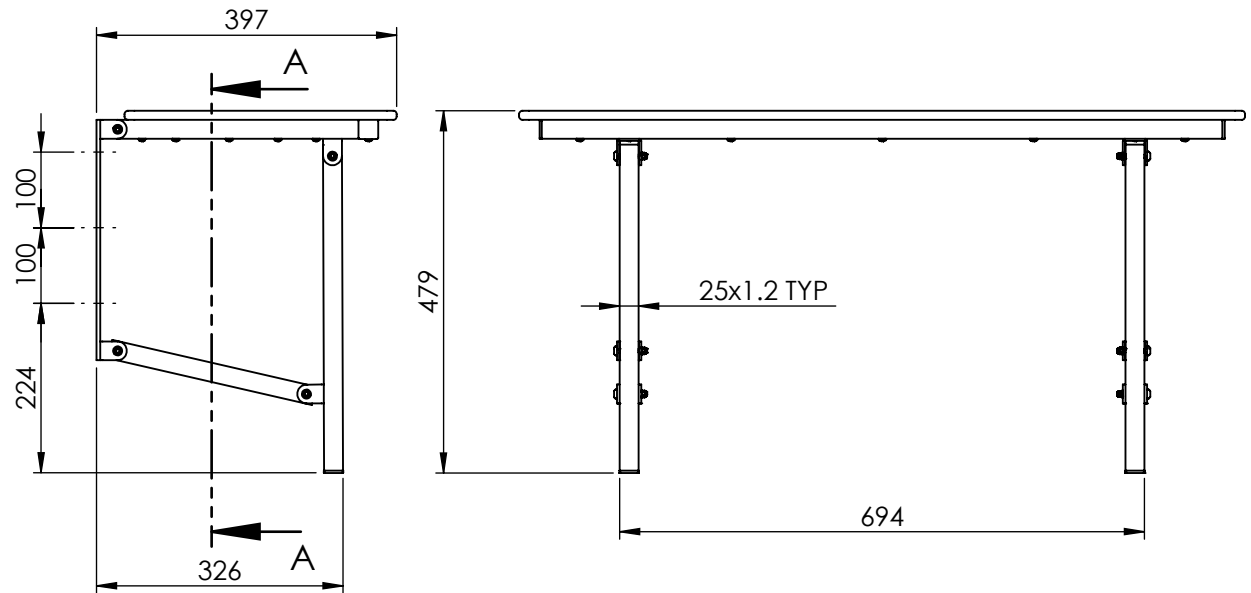


SECTION A-A



ITEM NO.	PART NUMBER	DESCRIPTION	QTY.	DRAWN	B DOOLAN	29/11/2017	CAT NO:	REV: G
				CHK'D	G DOUGLAS	03/08/2020		
1	C979-32	SHOWER SEAT	1	MATERIAL	304 STAINLESS STEEL / Phenolic			<p style="text-align: center; font-size: 24pt; font-weight: bold;">C979-32</p> <p style="text-align: center;">DESCRIPTION:</p> <p style="text-align: center; font-weight: bold;">SHOWER SEAT-960MMx400MM- COMPLIES WITH CURRENT AS1428.1</p>
2	BOLT-M8-70	LAG SCREW-M8X70MM	6	FINISH	SATIN / WHITE			
				WEIGHT				
				<p style="text-align: center; font-weight: bold; font-size: 18pt;">EMROWARE™</p> <p style="text-align: center;">www.emro.com.au</p> <p style="font-size: 8pt;">This drawing has been made with due care and attention however Emro do not accept any responsibility for variations. This drawing and information contained is the property of Emro and cannot be used without their consent.</p>				