

D

D

C

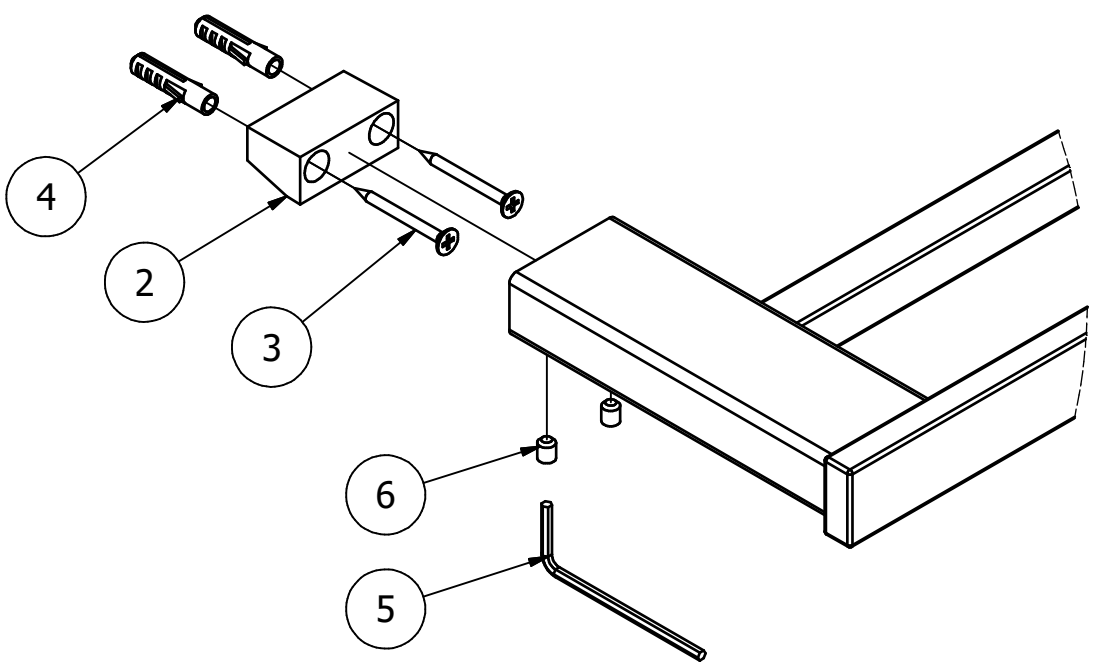
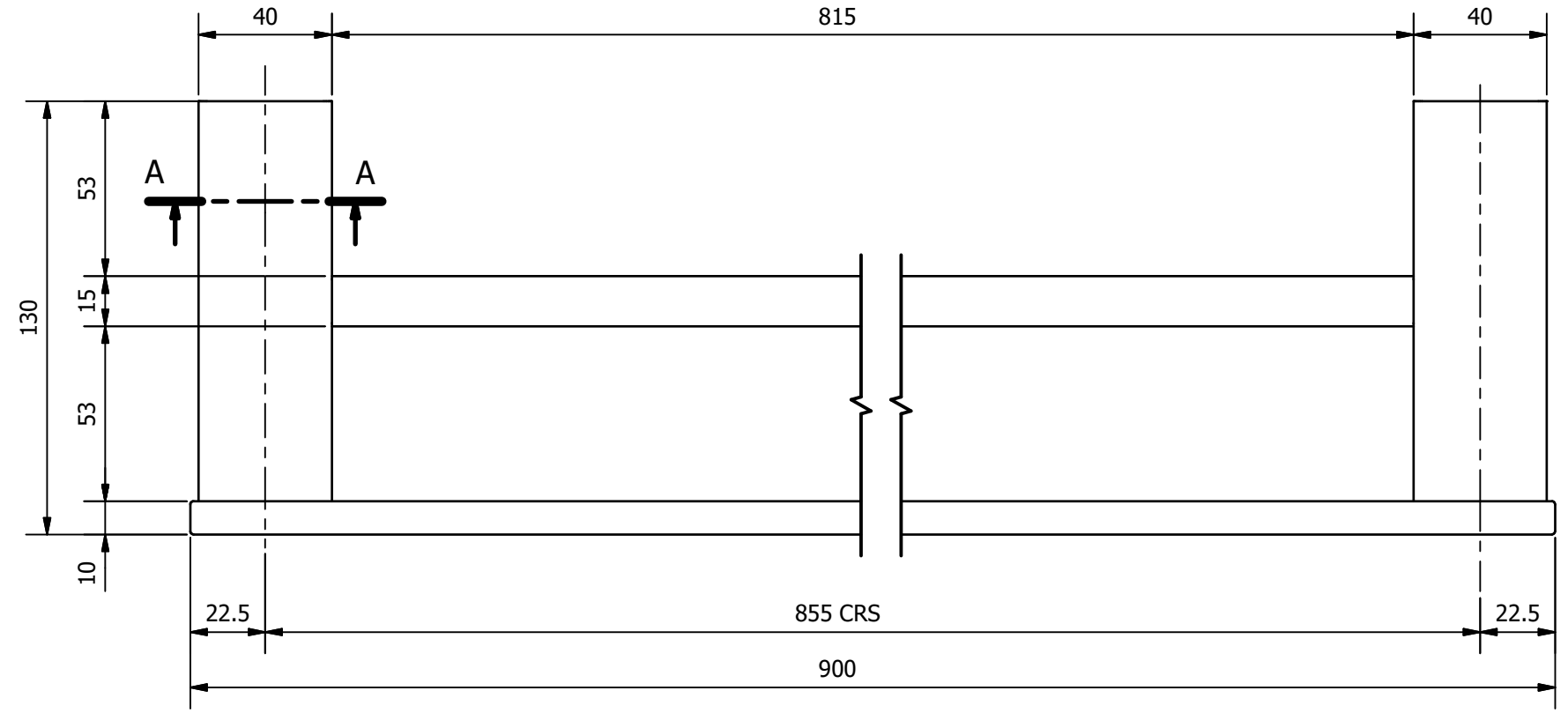
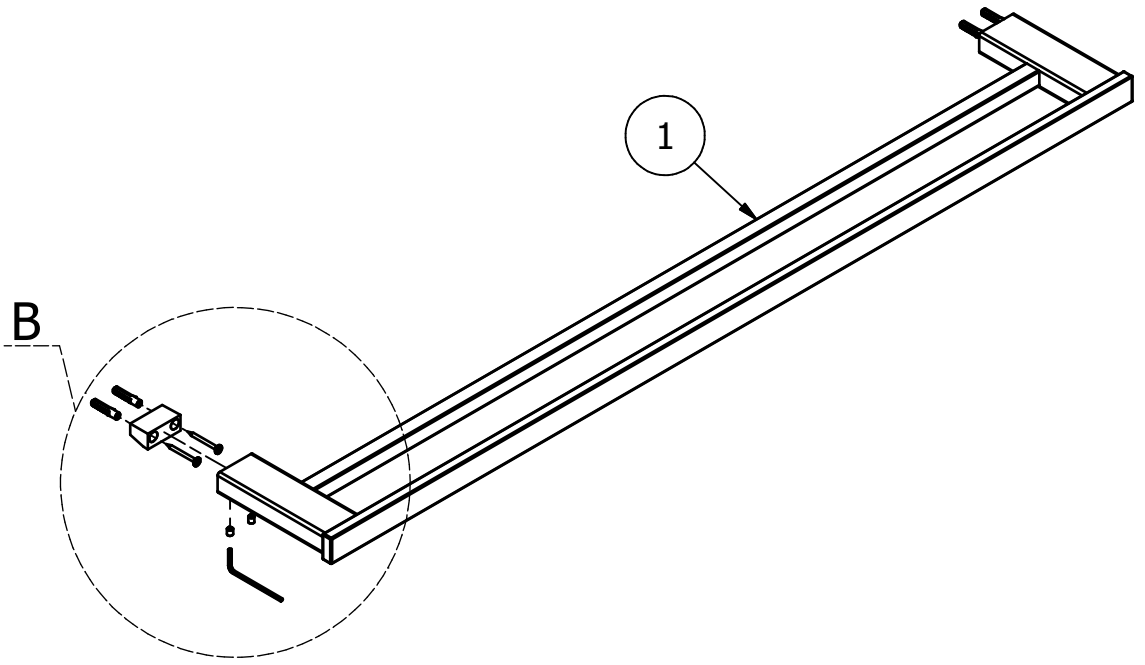
C

B

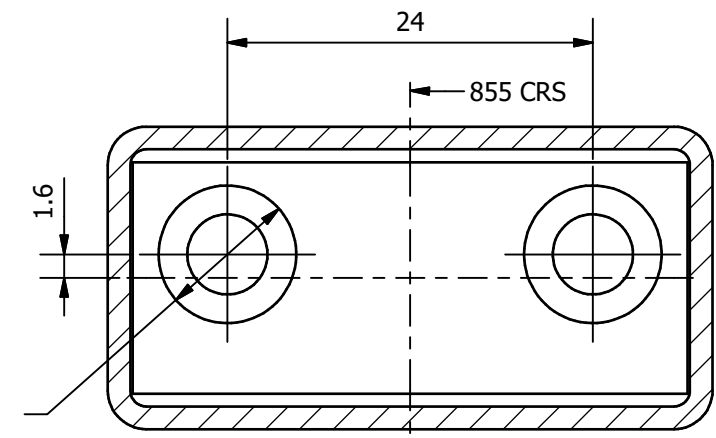
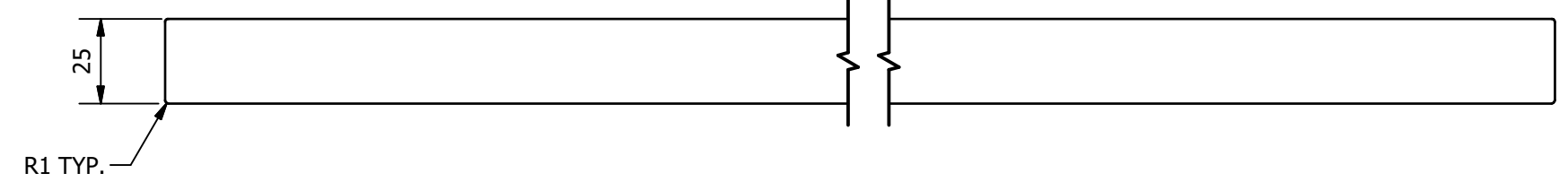
B

A

A



DETAIL: B



2x Ø5.3 THRU
 ✓ØØ9.1 - 13.6 DEEP

SECTION A-A
 TYPICAL MOUNTING DETAIL

ITEM	PART NUMBER	DESCRIPTION	QTY
1	B08SS-01	RAIL	1
2	B08SS-MOUNT	WALL BRACKET	2
3	SCS-4-35	SCREW-C/SUNK-4mmx35mm	4
4	WP-6-28	WALL PLUG-6mmx28mm	4
5	AK-2.5	ALLEN KEY - 2.5mm	1
6	SS-M5-6	SET SCREW - M5x6mm	4

DRAWN	B. POYNTER	18/12/2018	CAT NO.
CHECKED			
MATERIAL	304 STAINLESS STEEL		
FINISH	POLISHED		
WEIGHT	3.8 kg		

REV	A
B08SS	

EMROWARE™
www.emro.com.au
 This drawing has been made with due care and attention however Emro do not accept any responsibility for variations. This drawing and information contained is the property of Emro and cannot be used without their consent.

DESCRIPTION:
BRAMPTON DOUBLE TOWEL RAIL - 900mm