

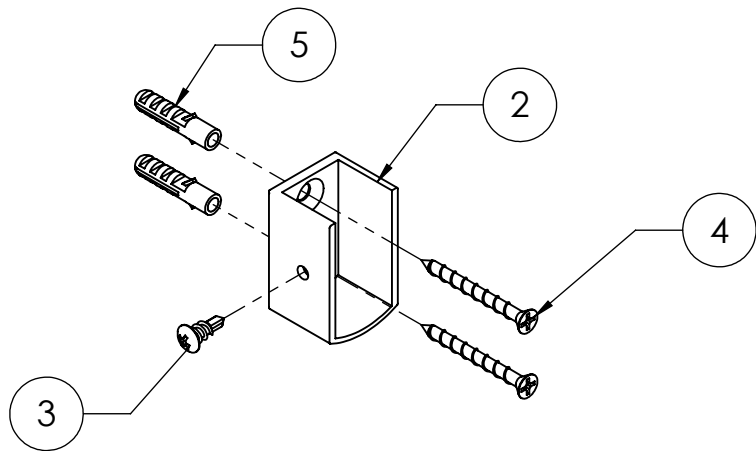
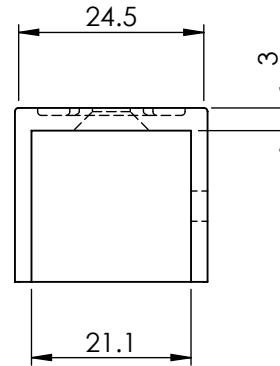
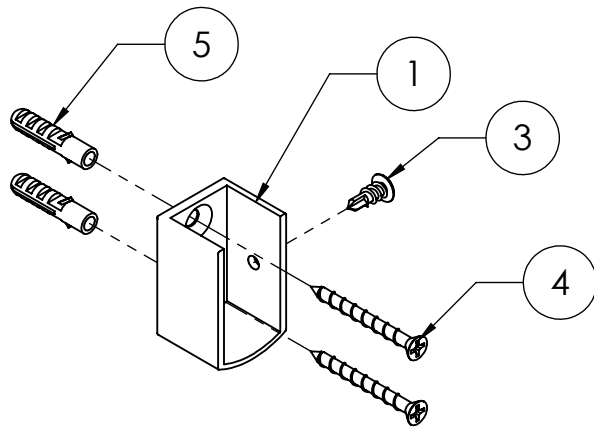
ITEM NO.	PART NUMBER	DESCRIPTION	QTY.
1	SDH-SD-4-16	SCREW-DOME HEAD-SELF DRILLING-4MMX16MM	2
2	SCS-4-40	SCREW-C/SUNK-4MMX32MM	1
3	SCA1000WH-4	SUPPORT BRACKET	1
4	SCA1000WH-3	SUPPORT MOUNT-BOTTOM	1
5	SCA1000WH-3	SUPPORT MOUNT-TOP	1
6	SCA1000WH-2	SUPPORT	1
7	WP-6-30	WALL PLUG-6MMX30MM	1
8	SDH-SD-4-22	SCREW-DOME HEAD-SELF DRILLING-4MMX22MM	2
9	S-CS-M5-12	SCREW-C/SUNK-M5X12MM	1

DRAWN	B DOOLAN	17/06/2015
CHK'D	U WAUGE	17/06/2015
MATERIAL	ALUMINIUM	
FINISH	WHITE / CLEAR ANODISED	
WEIGHT		

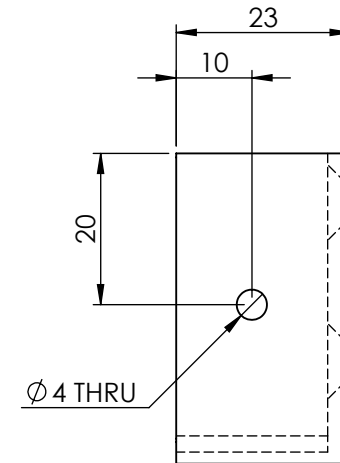
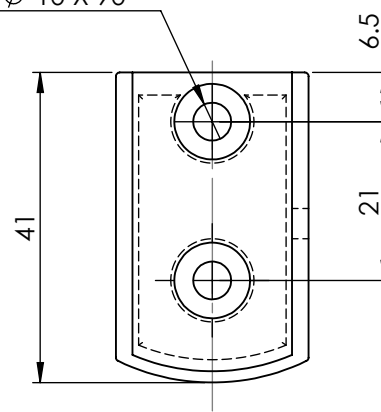
CAT NO:	<h1>SCACEILING</h1>	REV: A
DESCRIPTION:		<h2>CEILING SUPPORT KIT</h2>

**EMROWARE™**  
www.emro.com.au

This drawing has been made with due care and attention however Emro do not accept any responsibility for variations. This drawing and information contained is the property of Emro and cannot be used without their consent.



2 x  $\varnothing$  5 THRU ALL  
 $\surd$   $\varnothing$  10 X 90°



NOTE: BOTH BRACKETS INCLUDED IN KIT

ITEM NO.	PART NUMBER	DESCRIPTION	QTY.
1	SCAENDWH-LH	SUPPORT BRACKET-LH	1
2	SCAENDWH-RH	SUPPORT BRACKET-RH	1
3	SDH-SD-4-16	SCREW-DOME HEAD-SELF DRILLING-4MMX16MM	2
4	SCS-4-40	SCREW-C/SUNK-4MMX32MM	4
5	WP-6-30	WALL PLUG-6MMX30MM	4

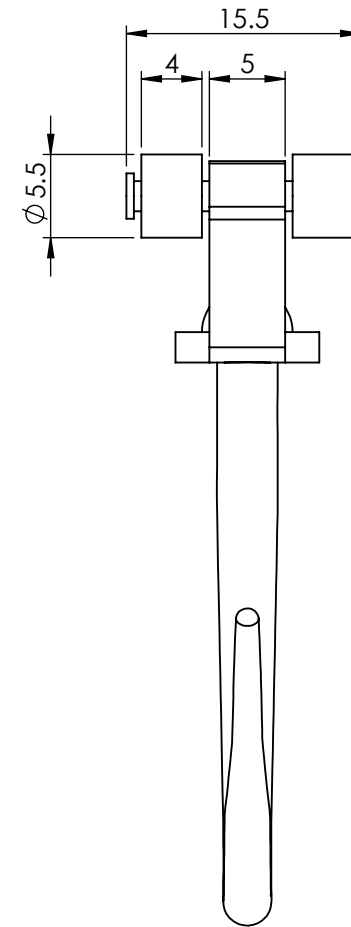
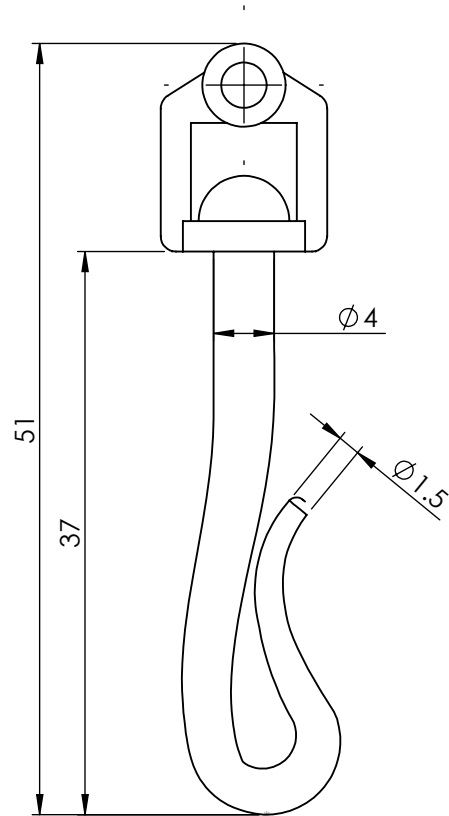
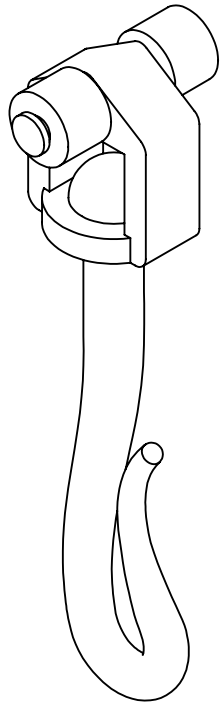
DRAWN	B DOOLAN	17/06/2015
CHK'D	U WAUGE	17/06/2015
MATERIAL	ALUMINIUM	
FINISH	WHITE / CLEAR ANODISED	
WEIGHT		

**EMROWARE™**  
[www.emro.com.au](http://www.emro.com.au)

This drawing has been made with due care and attention however Emro do not accept any responsibility for variations. This drawing and information contained is the property of Emro and cannot be used without their consent.

CAT NO: **SCAEND** REV: **A**

DESCRIPTION: **WALL MOUNTING END BRACKET (PAIR)**



DRAWN	B DOOLAN	17/06/2015	CAT NO:	<h1>SCAHOOK</h1>	REV: <b>A</b>
CHK'D	U WAUGE	17/06/2015			
MATERIAL	PLASTIC				
FINISH	WHITE				
WEIGHT					
<b>EMROWARE™</b> www.emro.com.au				DESCRIPTION:	<h2>SHOWER CURTAIN HOOK</h2>
This drawing has been made with due care and attention however Emro do not accept any responsibility for variations. This drawing and information contained is the property of Emro and cannot be used without their consent.					