

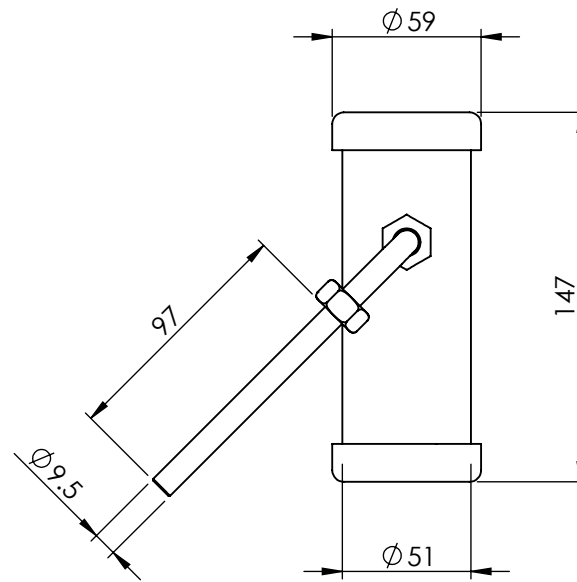
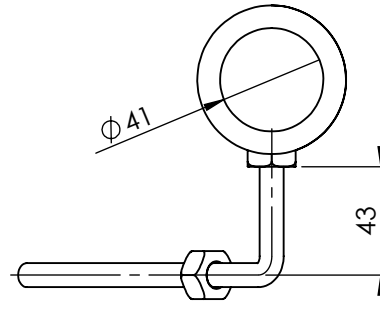
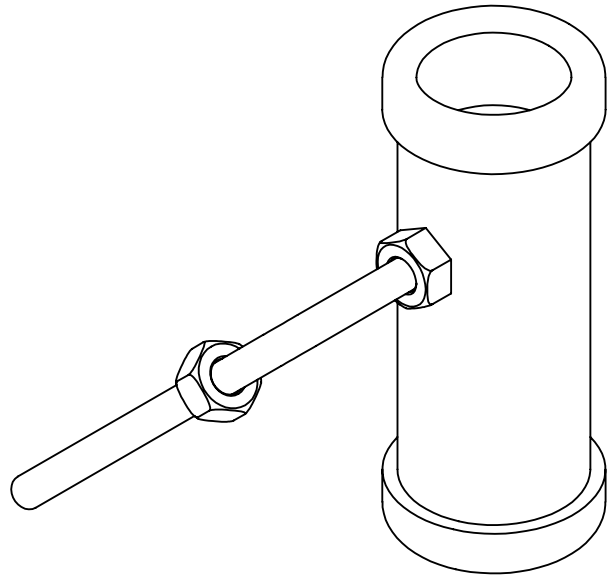
DRAWN	B DOOLAN	11/07/2014
CHK'D	U WAUGE	11/07/2014
MATERIAL	STAINLESS STEEL/RUBBER	
FINISH	POLISHED	
WEIGHT		

CAT NO:	<h1>M40</h1>	REV: A

www.emro.com.au

This drawing has been made with due care and attention however Emro do not accept any responsibility for variations. This drawing and information contained is the property of Emro and cannot be used without their consent.

DESCRIPTION:
**ROWLOCK ROD HOLDER-
 PORT SIDE**



DRAWN	B DOOLAN	11/07/2014
CHK'D	U WAUGE	11/07/2014
MATERIAL	STAINLESS STEEL/RUBBER	
FINISH	POLISHED	
WEIGHT		

CAT NO:	<h1>M40</h1>	REV: A
DESCRIPTION:		

EMROWARE™

www.emro.com.au

This drawing has been made with due care and attention however Emro do not accept any responsibility for variations. This drawing and information contained is the property of Emro and cannot be used without their consent.

**ROWLOCK ROD HOLDER-
STARBOARD SIDE**