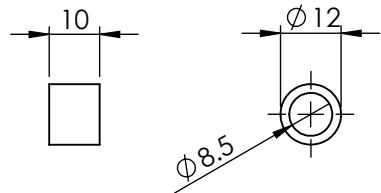
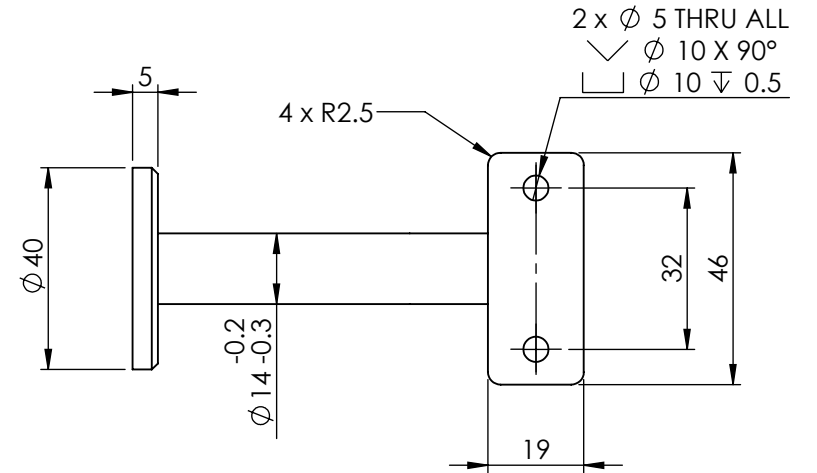
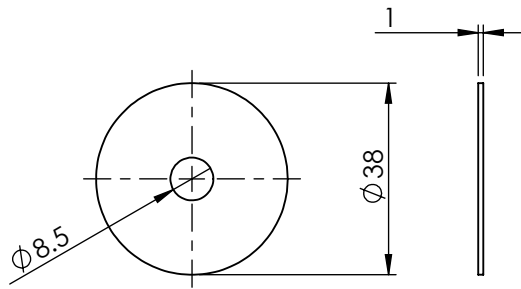


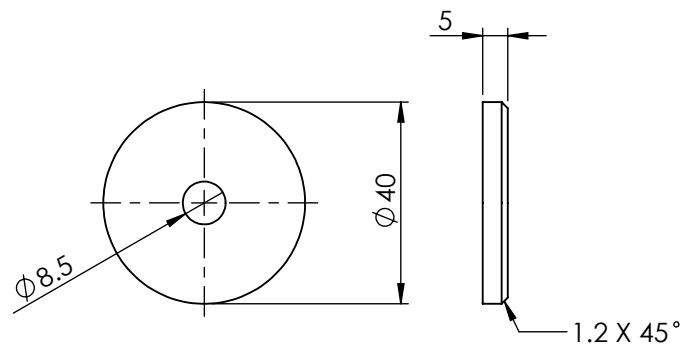
DETAIL ITEM ④



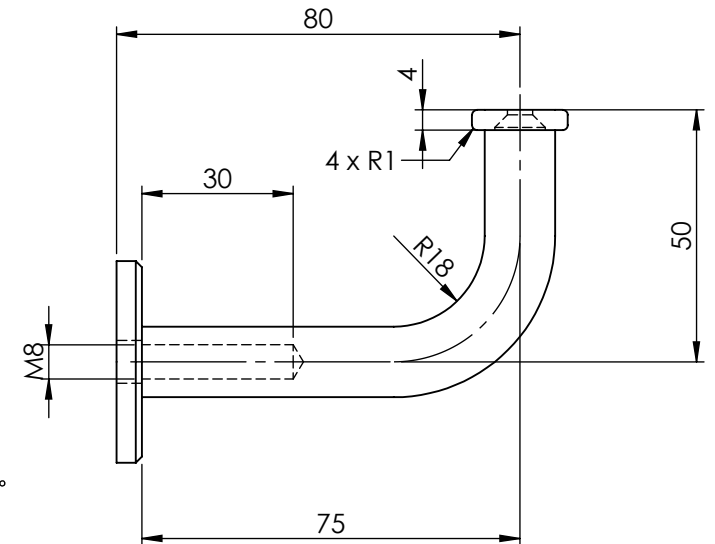
DETAIL ITEM ⑥



DETAIL ITEM ⑤



DETAIL ITEM ②



ITEM NO.	PART NUMBER	DESCRIPTION	QTY.	DRAWN	B DOOLAN	22/02/2017	CAT NO:	REV: C
1	SCS-5-40	SCREW-C/SUNK-5MMX40MM	2	CHK'D	G SIMPSON	22/02/2017	SS80GFT	
2	SS80GCTP-1	WASHER	1	MATERIAL	304 STAINLESS STEEL			
3	SS80GFT-2	BRACKET	1	FINISH	SATIN		DESCRIPTION: EXTENDED CONCEALED STAIR RAIL BRACKET FOR GLASS PANELS- COMPLIES WITH AUSTRALIAN STANDARD AS1428.1-2009	
4	SS80GCTP-3	WASHER-STUD	1	WEIGHT				
5	SS80GCTP-4	WASHER	2	www.emro.com.au				
6	SS80GCTP-5	SPACER	1	This drawing has been made with due care and attention however Emro do not accept any responsibility for variations. This drawing and information contained is the property of Emro and cannot be used without their consent.				