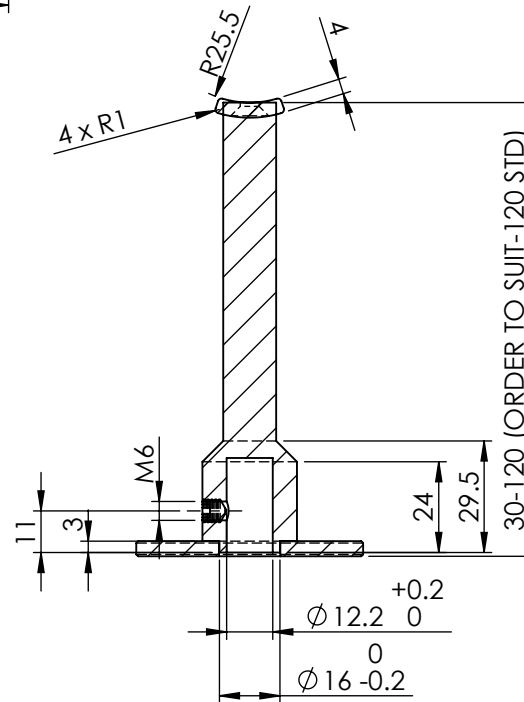
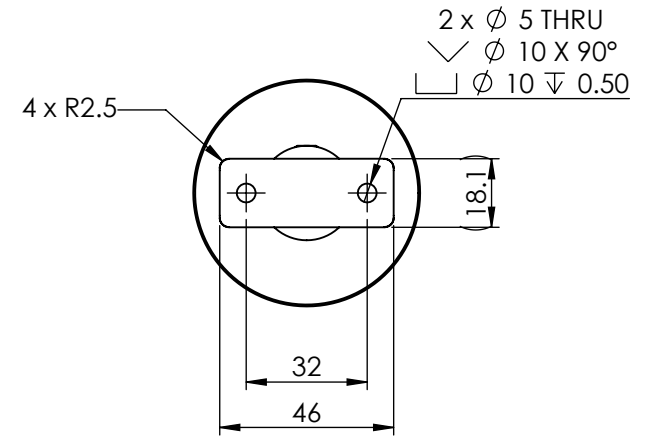
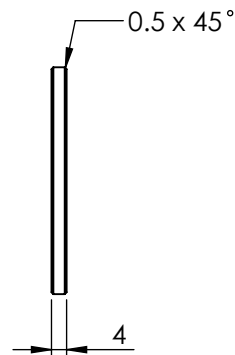
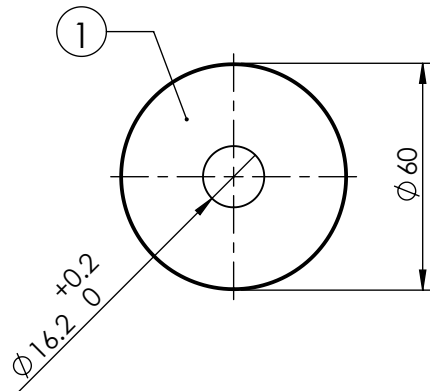
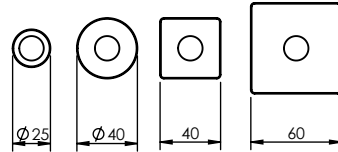
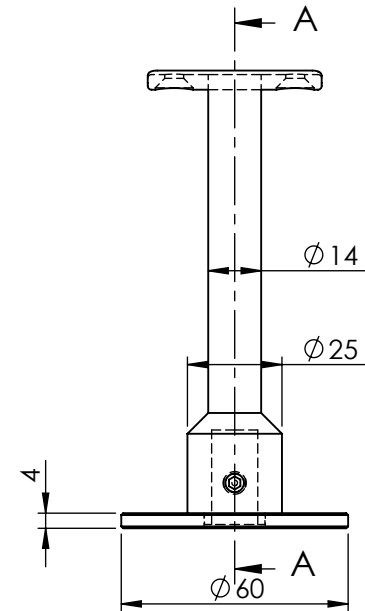


**WASHER OPTIONS**

SUPPLIED STD WITH 60MM ROUND



SECTION A-A



ITEM NO.	PART NUMBER	DESCRIPTION	QTY.	DRAWN	B DOOLAN	16/07/2014	CAT NO:	REV: A
1	SSBASE-60	WASHER	1	CHK'D	U WAUGE	16/07/2014	<b>SS4455120CT</b>	
2	SS4455-CT-2	BRACKET	1	MATERIAL	304 STAINLESS STEEL			
3	SS-M6-6	SET SCREW-M6X6MM	1	FINISH	BRUSHED		DESCRIPTION: DELUXE CONCEALED STRAIGHT STAIR RAIL BRACKET-COMPLIES WITH AUSTRALIAN STANDARD AS1428.1-2009	
4	LAG SCREW-8-60	LAG SCREW-8MMX60MM	1	WEIGHT				
5	SCS-5-25	SCREW-C/SUNK-5MMX25MM	2	 www.emro.com.au				
							<small>This drawing has been made with due care and attention however Emro do not accept any responsibility for variations. This drawing and information contained is the property of Emro and cannot be used without their consent.</small>	