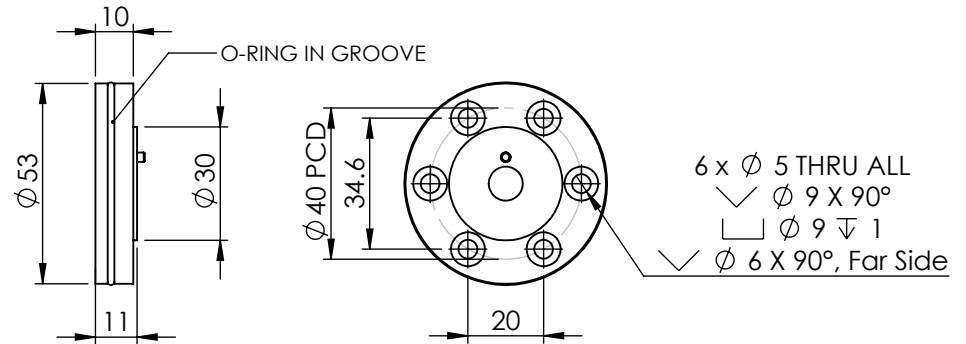
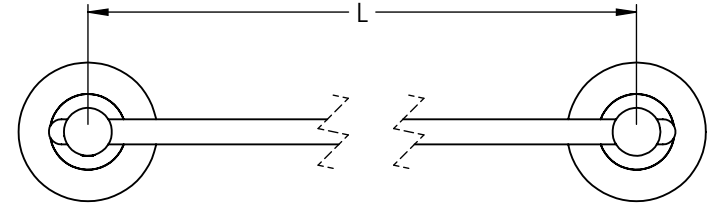
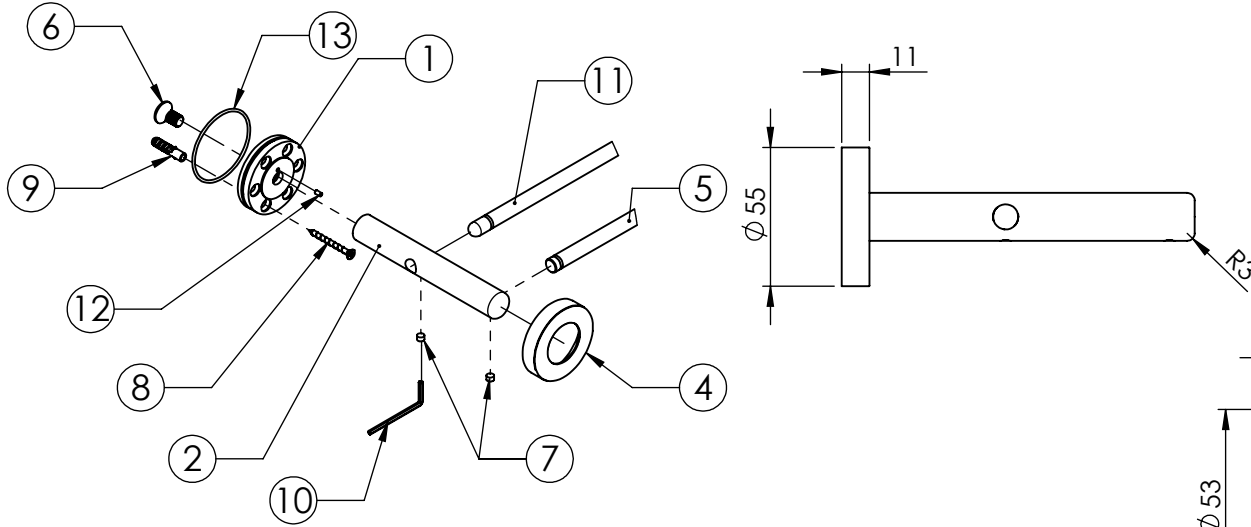
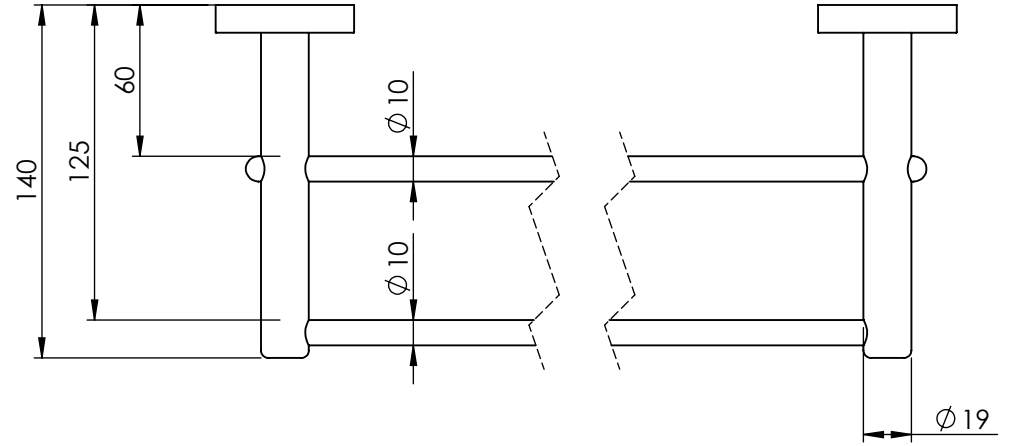
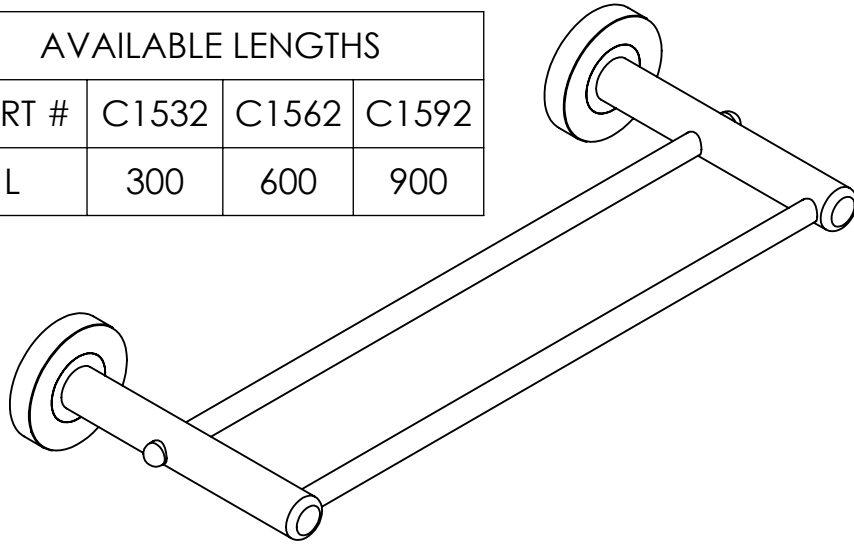


AVAILABLE LENGTHS			
PART #	C1532	C1562	C1592
L	300	600	900



ITEM NO.	PART NUMBER	DESCRIPTION	QTY.
1	C15-Base	BASE-C15	2
2	C15-Mount-Long	MOUNT-LH	1
3	C15-Mount-Long	MOUNT-RH	1
4	C15-Cover	COVER	2
5	C15-Rail	RAIL-10MM	1
6	B-CS-M8-16	BOLT-C/SUNK-M8X16MM	2
7	SS-M5-5	SET SCREW-M5X5MM	4
8	SCS-4-40	SCREW-C/SUNK-4MMX32MM	1
9	WP-6-30	WALL PLUG-6MMX30MM	1
10	AK-2.5	ALLAN KEY-2.5MM	1
11	C15-Rail-Double	RAIL-10MM	1
12	Pin	PIN-Ø2.5MMX5MM	2
13	C15-O-RING	O-RING	2

DRAWN	B DOOLAN	18/06/2015
CHK'D	U WAUGE	18/06/2015
MATERIAL	304 STAINLESS STEEL	
FINISH	SATIN/POLISHED	
WEIGHT		

CAT NO:	C1532-C1562-C1592	REV: A
DESCRIPTION:		TOWEL RAIL-DOUBLE

**EMROWARE™**  
www.emro.com.au

This drawing has been made with due care and attention however Emro do not accept any responsibility for variations. This drawing and information contained is the property of Emro and cannot be used without their consent.