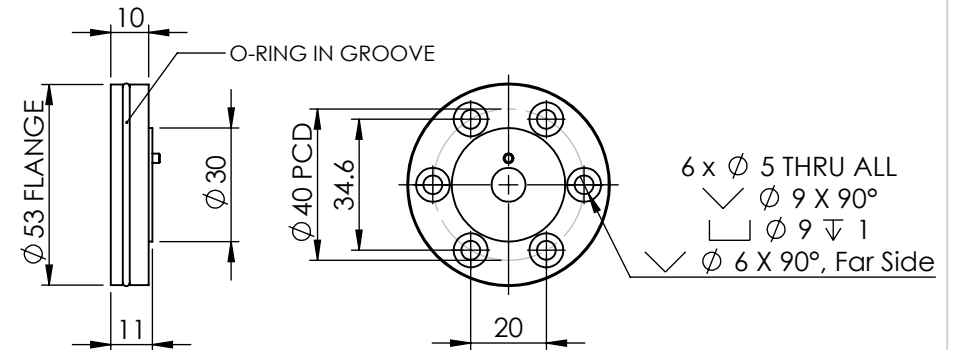
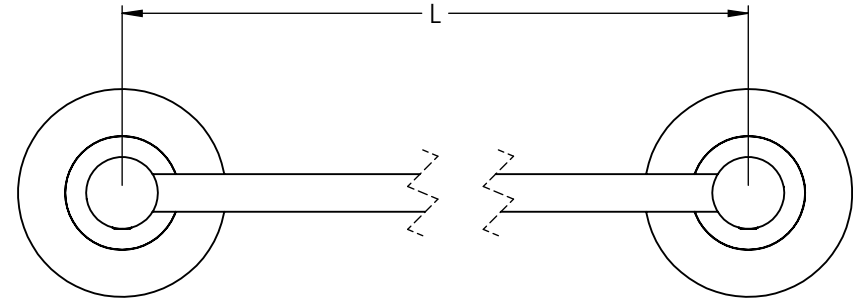
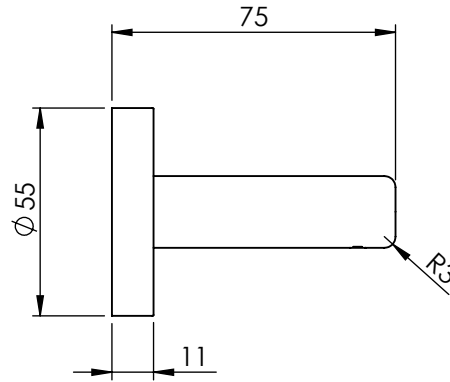
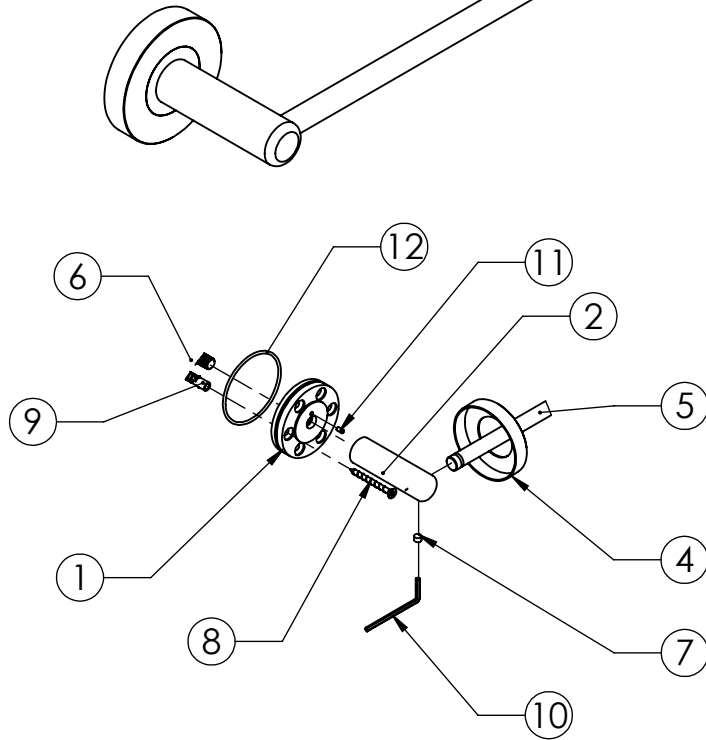
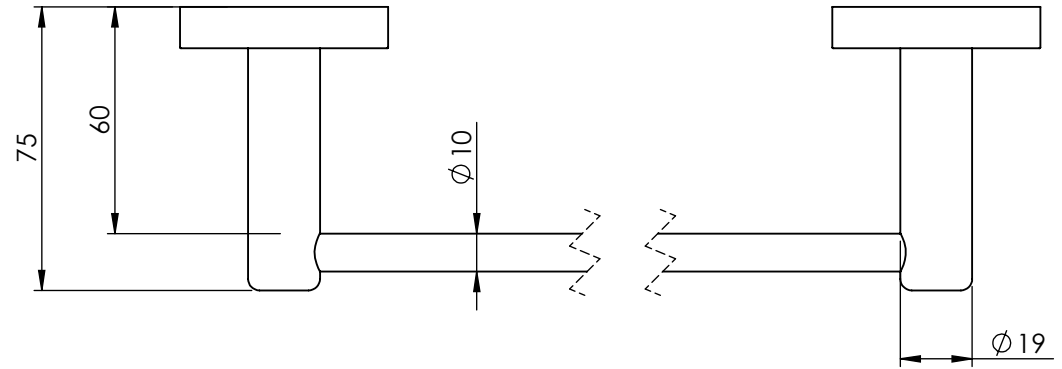
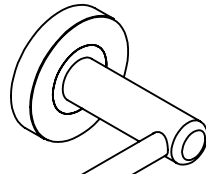


AVAILABLE LENGTHS			
PART #	C1530	C1560	C1590
L	300	600	900



5	PART NUMBER	DESCRIPTION	QTY.
1	C15-Base	BASE-C15	2
2	C15-Mount	MOUNT-LH	1
3	C15-Mount	MOUNT-RH	1
4	C15-Cover	COVER	2
5	C15-Rail	RAIL-10MM	1
6	B-CS-M8x16MM	BOLT-C/SUNK-M8X16MM	2
7	SS-M5-5	SET SCREW-M5X5MM	2
8	SCS-4-40	SCREW-C/SUNK-4MMX32MM	12
9	WP-6-30	WALL PLUG-6MMX30MM	12
10	AK-2.5	ALLAN KEY-2.5MM	1
11	Pin	PIN-Ø2.5MMX5MM	2
12	C15-O-RING	O-RING	2

DRAWN	B DOOLAN	18/06/2015
CHK'D	U WAUGE	18/06/2015
MATERIAL	304 STAINLESS STEEL	
FINISH	SATIN/POLISHED	
WEIGHT		

CAT NO:	C1530-C1560-C1590	REV: A
DESCRIPTION:		TOWEL RAIL-SINGLE

**EMROWARE™**  
www.emro.com.au

This drawing has been made with due care and attention however Emro do not accept any responsibility for variations. This drawing and information contained is the property of Emro and cannot be used without their consent.