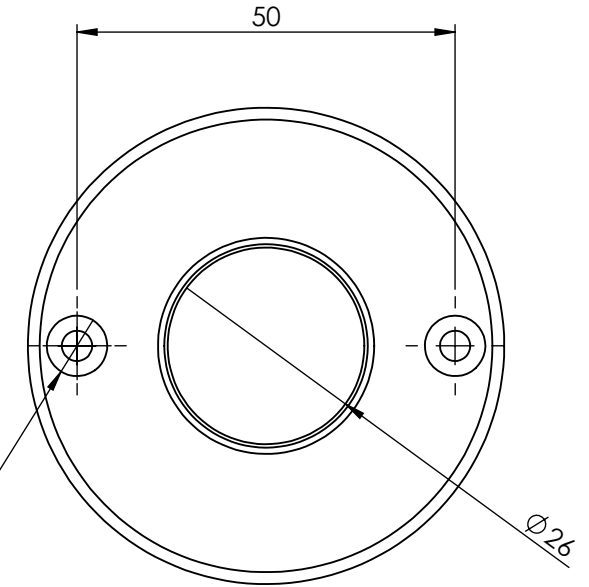


2 x Ø 4 THRU ALL
 ✓ Ø 8 X 90°
 □ Ø 8 ▽ 12



| ITEM NO. | PART NUMBER | DESCRIPTION | QTY. | DRAWN | B DOOLAN | 14/07/2017 | CAT NO: | REV: A |
|----------|-------------|-------------------------|------|--------|----------|------------|---------|--------|
| | | | | CHK'D | U WAUGE | 14/07/2017 | | |
| MATERIAL | ZINC ALLOY | | | | | | | |
| 1 | 405-1 | ROD SOCKET END | 1 | FINISH | CHROME | | | |
| 2 | SCS-3.5-25 | SCREW-C/SUNK-3.5MMX25MM | 2 | WEIGHT | | | | |

EMROWARE™

www.emro.com.au

This drawing has been made with due care and attention however Emro do not accept any responsibility for variations. This drawing and information contained is the property of Emro and cannot be used without their consent.