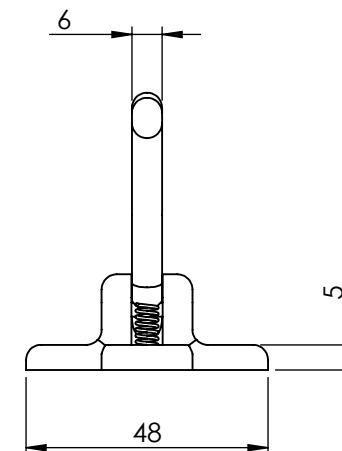


DETAIL ITEM ①



ITEM NO.	PART NUMBER	DESCRIPTION	QTY.	DRAWN	B DOOLAN	18/06/2014	CAT NO:	REV: A
				CHK'D	U WAUGE	18/06/2014		
1	130-1	SPUR	1	MATERIAL	ZINC ALLOY		130	
2	130-2	RETAINER	1	FINISH	CHROME/GOLD			
3	SCS-3.5-20	SCREW-C/SUNK-3.5MMX20MM	4	WEIGHT			DESCRIPTION:	SPUR WINDOW

EMROWARE™

www.emro.com.au

This drawing has been made with due care and attention however Emro do not accept any responsibility for variations. This drawing and information contained is the property of Emro and cannot be used without their consent.